

Kennet centrifugal pumps

The three model Kennet range of centrifugal pumps is designed for continuous operation. Options include motor, impeller and seal type.

Automatic Flow Switch and Boostomatic versions are also available (see data sheets F201 & A460).

Application

The Kennet range of centrifugal pumps is designed for liquid transfer, pressure boosting or distribution of clean, fresh water. Other clean, non aggressive, non explosive liquids with similar characteristics to water may be pumped.

Materials

Body	Brass
Impeller	Brass or plastic
Pump shaft	Stainless steel
Seal	Nitrile/carbon/silicon Viton/carbon/silicon

Operating Conditions

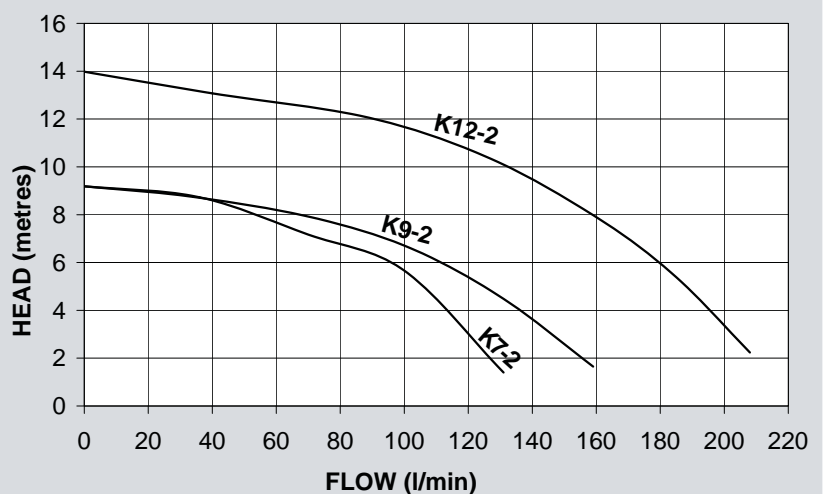
Max. liquid temp.	80°C
Min. liquid temp.	4°C
Max. suction lift	4.6 m
Max. ambient temp.	40°C
Max. viscosity	50 Secs redwood no. 1 scale 9.5 centistokes

Pump Connection Sizes

Inlet	G 1 Female
Outlet	G 1 Female



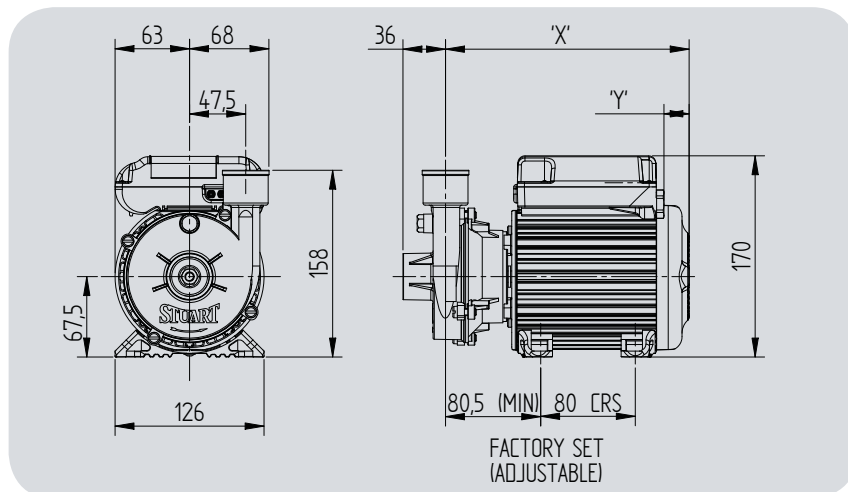
KENNET K7-2



Kennet centrifugal pumps

Model	Motor*	Nominal Watts	Max. watts consumed	Amps full load	Impeller	Seal	Carton dims. mm			Gross weight (packed) kg	Part no.
							L	x W	xH		
K7-2	230/1/50	180	230	1.0	Plastic	Nit/Car/Sil	325	x 200	x 236	6.1	46372
K9-2	230/1/50	250	330	1.5	Plastic	Nit/Car/Sil	325	x 200	x 236	6.3	46374
K12-2	230/1/50	500	595	2.8	Plastic	Nit/Car/Sil	381	x 200	x 236	8.2	46379
	230/1/50	500	635	2.9	Brass	Nit/Car/Cer	381	x 200	x 236	8.2	46381
	230/1/50	500	635	2.9	Brass	Vit/Car/Sil	381	x 200	x 236	8.2	46383

*Single phase motors are built to IP44, all motors are designed for continuous (S1) running and feature totally enclosed fan ventilated cooling and integral thermal overload protection.



Pump Description	Dim. 'X'	Dim. 'Y'
K7-2	206	21
K9-2	206	21
K12-2	241	56

All dimensions shown are in mm.

Stuart Turner Ltd
Henley-on-Thames
Oxfordshire RG9 2AD
England
Telephone: +44 (0)1491 572655
Fax: +44 (0)1491 573704

Email:
pumps@stuart-turner.co.uk
Web:
www.stuart-turner.co.uk

V.A.T. REG. No. 199 0987 92.
Registered in England No. 88368.
Registered Office:
Market Place, Henley-on-Thames

**STUART
TURNER**